



- **Ultra stable light source through internal regulation.**
- **PC (USB) controlled light output**
- **Ultra fast stabilization**
- **Stand Alone mode : No PC**
- **Switch disable function (user programmable).**
- **USB and RS232 communication interfaces.**  
**USB also on GPIO connector for industrial usage.**
- **It has 4 x M4 mounting holes on bottom plate and 2 x M4 mounting holes on front side**
- **Available in R, G, B and Natural White**
- **USBTMC standard device. Works with NI-VISA or other USBTMC compliant drivers.**



# Steropes-LED

## Light source specification

### Interfaces

USB 2.0	USBTMC compliant, SCPI command set, Full speed device USB connection also available on GPIO connector for industrial connection.
RS232	For PC and embedded purposes, using the same command set as USB.
Trigger output	5V compliant
Trigger input	5V compliant

### Power ratings

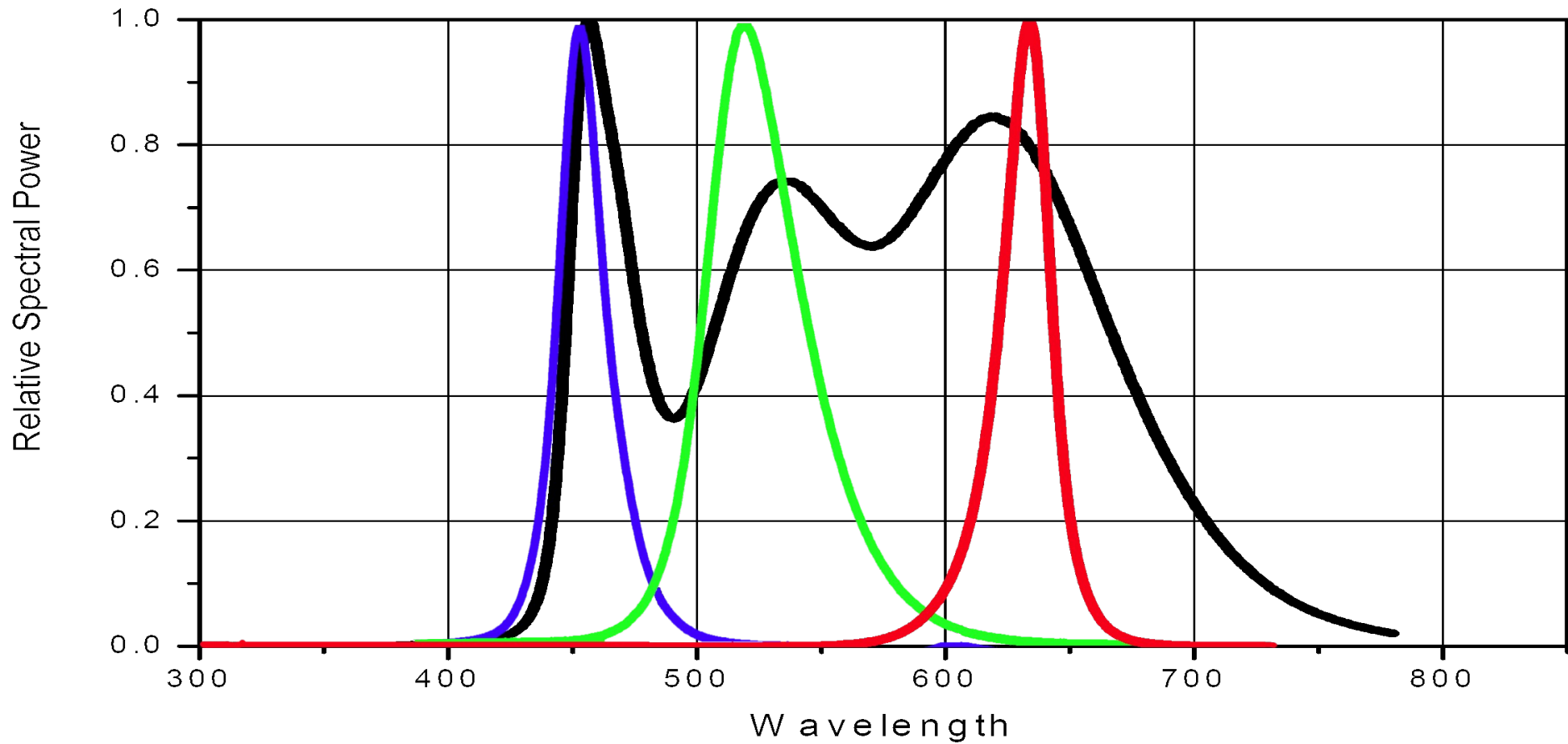
	Min voltage	Typical voltage	Max voltage	Consumption
USB powered	4.75V	5.00V	5.25V	Max. 350mA
DC-adapter powered	8.50V	9.00V	12.00V	Max. 500mA
GPIO powered	8.00V	9.00V	12.00V	Max. 500mA

### Mechanical dimensions

Height, Width, depth	54.6x55x98 mm
Mounting	4 x M4 threat holes on bottom plate, 2 x M4 threat holes on front side

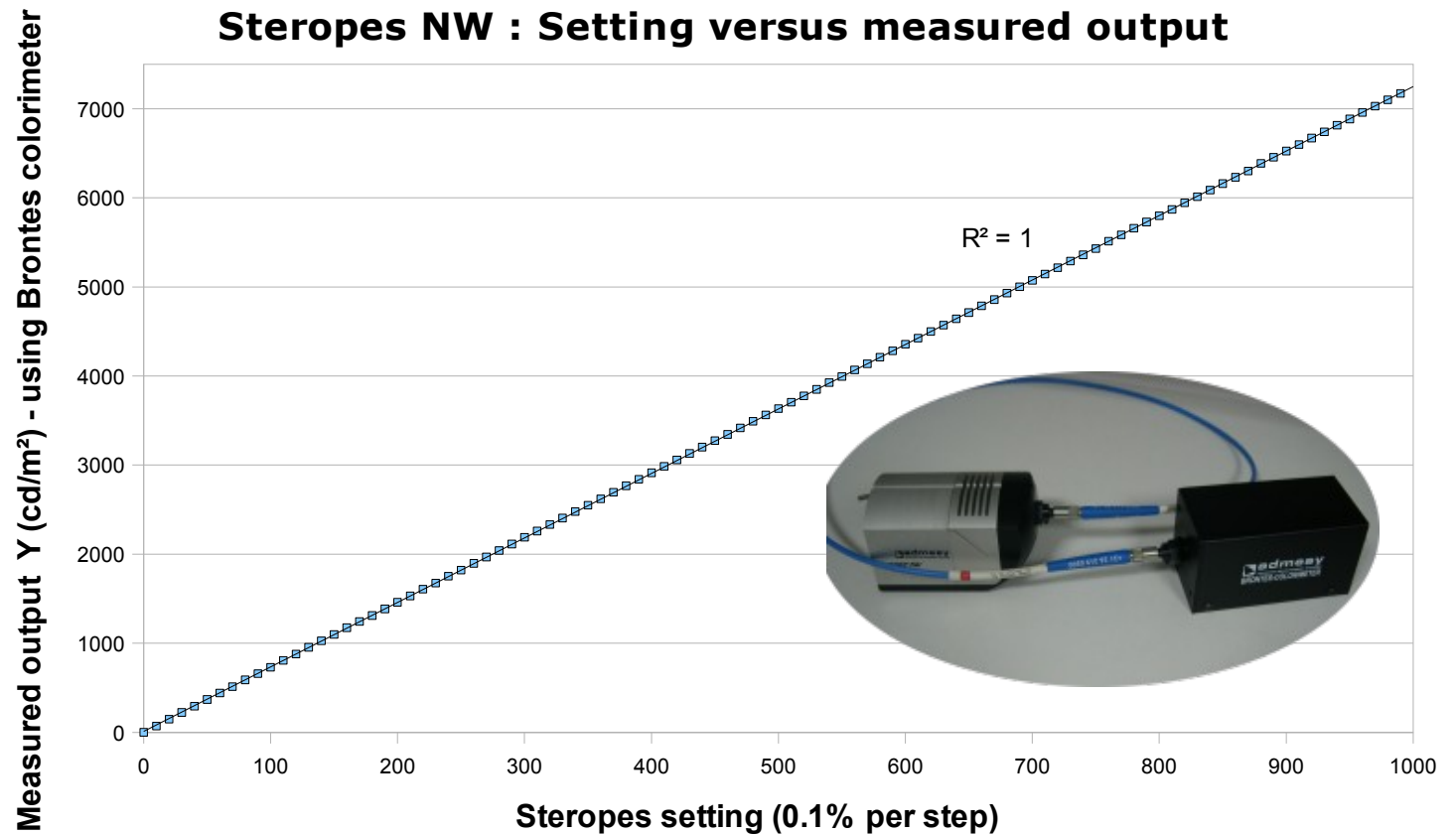
### Lighting system

LED	LED is used as a lighting system. Available in R, G, B and Natural White
Light output	Light output can be set from 0.0 to 100.0 % in 0.1% steps.
Self regulating	The light source regulates itself. The accuracy is 0.1% over lifetime and over temperature.
Stabilization time	Smaller than 10ms. Accuracy is 0.1%

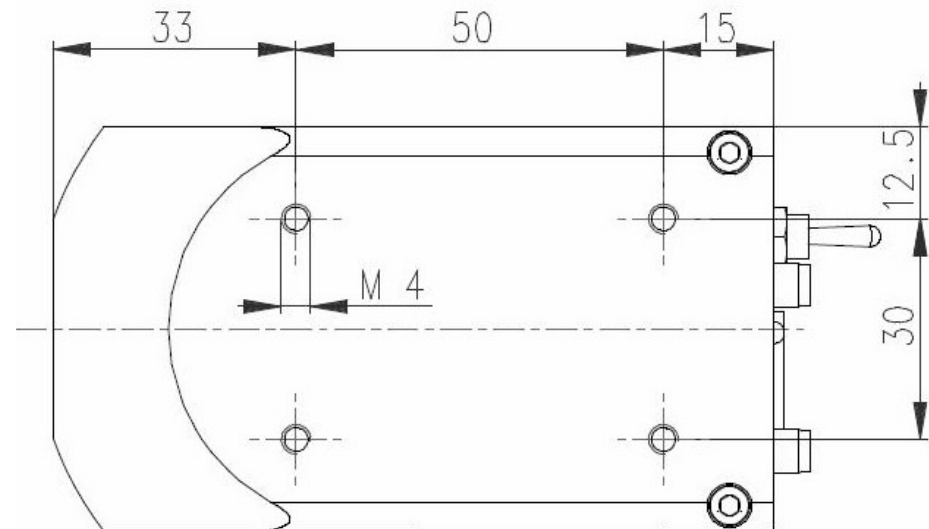
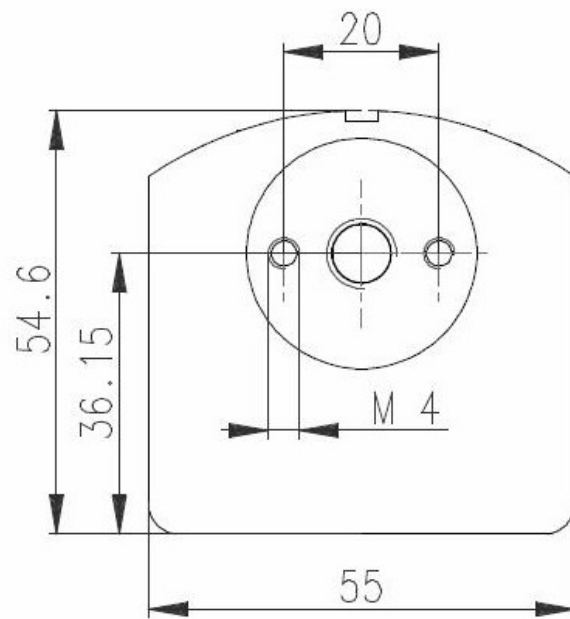


Linearity has been measured using an Admesy Brontes colorimeter. Both devices have been connected using a fiber connection as shown in the picture.

Note : Direct light output (not using a fiber) is higher in light intensity.



**Mechanical dimensions**





# Steropes-LED

Light source specification